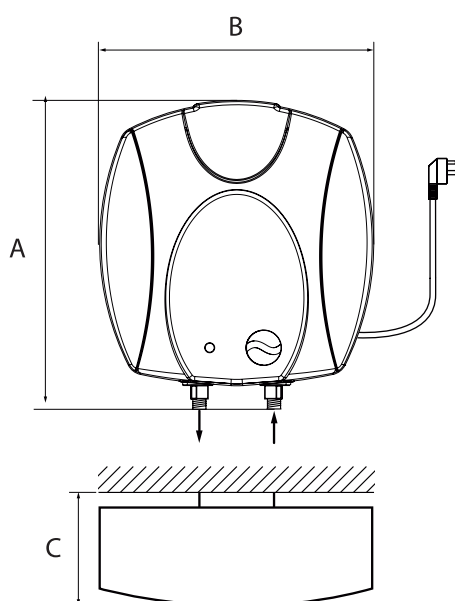


# ACTIVE COMPACT



Compact water heater, low capacity



This range has been specifically designed to be fitted in small spaces, thanks to its special diameter of just 33.4 cm for the tightest of spaces.

It is the ideal option to be fitted in small bathrooms, narrow cupboards, fitted kitchen cupboards or toilets in small establishments.

## Technical Features

- ▶ Diameter: only 33,4 cm.
- ▶ Steel tank lined with titanium enamel vitrified at 850 °C.
- ▶ Magnesium anode.
- ▶ Dielectric hoses with high mechanical resistance.
- ▶ Direct-immersion reinforced heating elements.
- ▶ Front-panel thermostat for regulating temperature.
- ▶ Pilot light.
- ▶ Vertical installation with connections.
- ▶ 1 m supply mains cable and plug.
- ▶ Non-return and pressure relief valve.
- ▶ High insulation.
- ▶ Safety thermostat.
- ▶ ECO mode setting. 
- ▶ Frost-Protection mode setting. 

MODEL: ACTIVE COMPACT		GTS-10	GTS-15
Capacity	L	10	15
Output	W	1500	1500
Current	A	6.5	6.5
Voltage		220-240 V	220-240 V
Frequency	Hz	50	50
Insulation		Class I	Class I
IP degree		IPX4	IPX4
Colour		White	White
Average consumption to keep water at 65 °C	kWh/24h	0.49	0.57
Dimension A	cm	41	41
Dimension B	cm	36	39
Dimension C	cm	27	31
Net weight	kg	6.3	7.8
Referencia		90800010	90800015